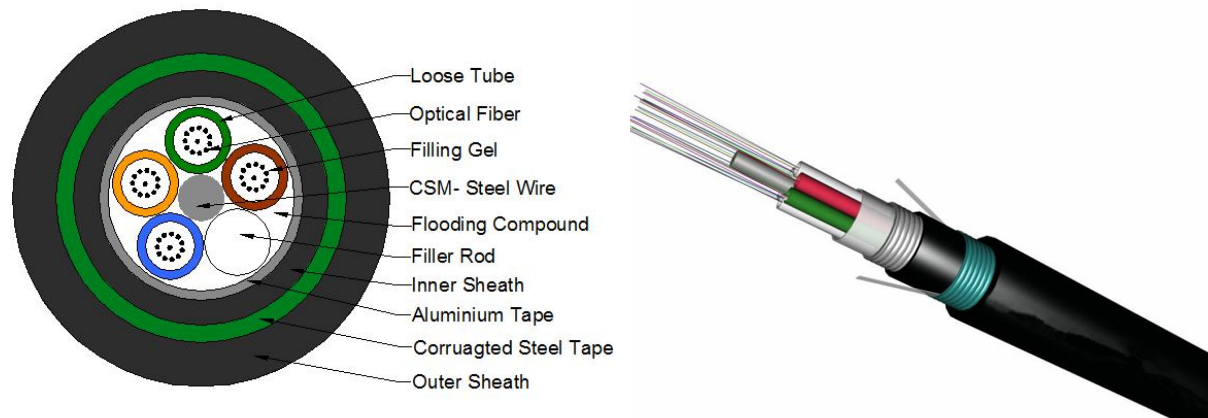


GYTA53

Application:

The products are especially suitable for the urban backbone transmission network and the accessing network of the users.

Cable Structure:



Standard Reference:

ITU-T G.652, ITU-T G.655, IEC 60794-1, YD/T 901-2009

Transmission performance:

| Fiber Type | 62.5 μ m(OM1) | 50 μ m(OM2) | G652 | G655 |
|-----------------------------|-------------------|-----------------|---------------|---------------|
| | (850/1300nm) | (850/1300nm) | (1310/1550nm) | (1550/1625nm) |
| Max. Attenuation(dB/km) | 3.5/1.5 | 3.5/1.5 | 0.36/0.22 | 0.22/0.26 |
| Typical. Attenuation(dB/km) | 3.5/1.5 | 3.0/1.0 | 0.35/0.21 | 0.21/0.24 |

* Other type of optical fiber can be used according to customer's requirements.

Cable Parameters:

| Max. Fiber core | Tension(N) | | Crush(N/100mm) | | Min. Bending Radius(mm) | | Dia. (mm) | Weight (kg/km) |
|-----------------|------------|------|----------------|------|-------------------------|--------|-----------|----------------|
| | Short | Long | Short | Long | Dynamic | Static | | |
| 36 | 3000 | 1000 | 3000 | 1000 | 25D | 12.5D | 12.4 | 161 |
| 60 | 3000 | 1000 | 3000 | 1000 | 25D | 12.5D | 13.0 | 171 |
| 72 | 3000 | 1000 | 3000 | 1000 | 25D | 12.5D | 13.6 | 198 |
| 96 | 3000 | 1000 | 3000 | 1000 | 25D | 12.5D | 15.0 | 234 |
| 144 | 3000 | 1000 | 3000 | 1000 | 25D | 12.5D | 17.9 | 311 |

* The cable parameters are typical values and should be adjusted according to the actual situation.

** The cable can be designed according to customer's requirements.

*** D means the cable diameter.